



Numero di inventario: 21969

Centro di lavoro a 3 assi
FINETECH SMV 1370 H3L
FANUC Oi-MF Plus
2022



Dati tecnici

Numero di assi totale	3
Lunghezza della tavola	1450 mm
Larghezza della tavola	700 mm
Numero scanalatura a T:	5
Distanze tra le scanalature a T	100 mm
Larghezza della scanalatura a T	18 mm
Peso mass. su tavola	800 kg
Corsa longitudinale (X-asse)	1300 mm
Corsa trasversale (Y-assi)	700 mm
Corsa verticale (Z-Asse)	700 mm
Magazzino utensili numero di posti utensile	30
Attacco cono mandrino: BT	40
Distanza attacco mandrino e tavolo	150 - 800 mm
Velocità mandrino:	
con variatore continuo	
da	0 g/min
fino	12000 g/min
Avanzamenti rapidi:	25 m/min
Motore mandrino	18.5 kW
Potenza installata totale	45 kVA
Peso della macchina circa	9000 kg
Dimensioni macchina:	
Lunghezza	3650 mm
Larghezza	2220 mm
Altezza	2560 mm

Accessori diversi:

Assi lineari azionamenti diretti

Refrigerazione

Refrigerante centro mandrino 20 bar

Soffiatura per cono del mandrino

Convogliatore di trucioli

Volantino elettronico

Lampada

Refrigerazione del mandrino

Refrigeratore dell'olio del mandrino

Pistola di risciacquo

Pistola a pressione

Spegnimento automatico

Lubrificazione centralizzata

Armadio elettrico Condizionatore d'aria

Luce di stato



Internationally Recognized Machine Tools From Finetech

From its beginnings in 1979, Finetech has been one of the top machine tool manufacturers in the world. Finetech manufactures a wide range of CNC vertical machining centers. Finetech's machines are built to deliver high speed with more accuracy, efficiency and durability with more standard features, high-tech innovations and solid engineering.

Every Finetech machine is designed to provide more flexibility and productivity, making for a very sound investment.



Extensive Quality Control

Before shipping, each machining center from Finetech is subject to rigorous quality inspections during assembly. If it does not measure up to our standards, it does not leave our factory. Our objective is to ensure that each machine will provide optimum performance and fully satisfy customers.



SPINDLE DYNAMIC BALANCE TESTING

After machine assembly, the spindle is re-balanced to ensure smooth operation.



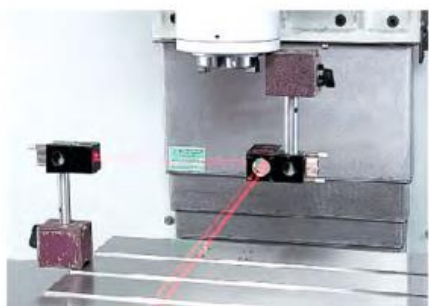
SPINDLE THERMAL GROWTH TESTING

Each spindle is tested through the complete speed range and thermal growth is measured to ensure the spindle is within normal values.



FINAL TEST CUT

Dynamic cutting process test ensures precision and performance of machine.



CALIBRATION

Every Finetech machine is laser calibrated for pitch error compensation and backlash.



BALL BAR TESTING

Every machine is put through a Dynamic Ballbar test to test circularity and reversal spike errors.

Extensive Quality Control During Assembly



SPINDLE TRAM

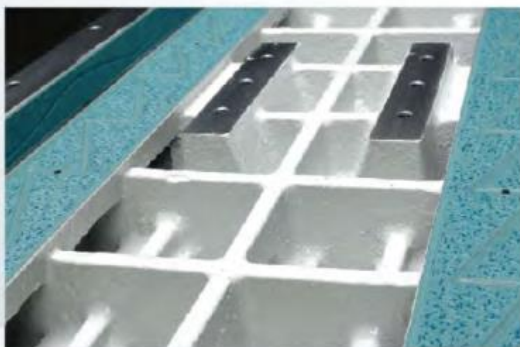
Every spindle mount is hand scraped to ensure accurate alignment of the spindle to worktable.



BALLSCREW ALIGNMENT

The ballscrew bearing mounts are aligned using a precision test mandrel.

The mounting surface is hand scraped to ensure a highly precise alignment.



GUIDEWAYS ARE FITTED WITH "TURCITE B"

Box way type machines are hand scraped and set matched to ensure high geometric accuracy.



STRAIGHTNESS

Every linear guideway has a precision ground mounting surface and is checked using a high precision Granite straight edge.



LEVEL

The machine level is continuously checked through each stage of the assembly process using precision levels.



SCREW AND LINEAR RAIL PARALLEL TEST

The straightness of the ballscrew is measured against the straightness of the linear guideway to ensure both components are parallel to each other.



THRUST BEARING ASSEMBLY

The thrust bearing housings are inspected and ground for proper clearances to allow the ballscrew to be properly supported.



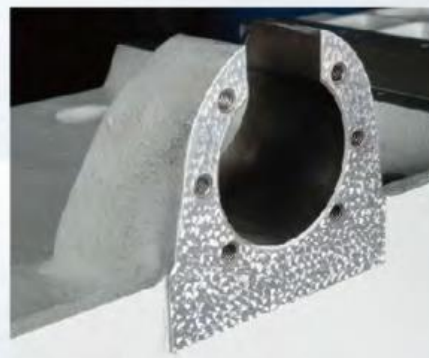
SERVO MOTOR MOUNT

Each servo motor mounting surface is ground to ensure the motor is correctly aligned to the ballscrew.



EFFICIENT AXES LUBRICATION

Each axis uses volumetric oil or grease distribution to ensure even and efficient lubrication.



BALLSCREW MOUNT

The ball nut is hand scraped and aligned using a precision test mandrel.



Z AXIS ALIGNMENT TEST

The Z axis is tested for accuracy using a high precision granite square in X, Z and Y, Z directions.

Excellent Mechanical Features



COOLANT-THROUGH-SPINDLE (CTS) 20-70 BAR (Optional)

Coolant-Through-Spindle provides coolant directly to the machining process through the center of the spindle. CTS may extend the life of the cutting tool and improve the evacuation of chips, especially when used for deep hole drilling and pocket milling.



SPINDLE CHILLER (Oil or Water)

The spindle chiller will help maintain a stable spindle temperature and will reduce the effects of thermal expansion of the spindle main shaft as well as extend the life of the spindle.





IN HOUSE CIRCUIT DESIGN

The Finetech R&D team can design both hardware and software components for the machine tools and allows for better quality control and quick response to customers requests.



Ø63mm EXTRA LARGE BALLSCREW

Finetech's model 1890 and larger use ø63mm ball screws to handle heavier cutting and table loads while still providing smooth motion.



A



B



LINEAR SCALE MOUNTING SURFACE

A precision ground surface can be added to each axis to allow for easy installation of linear scales by ensuring a straight and parallel surface.



AIR COUNTER BALANCE



T-SLOT GRINDING

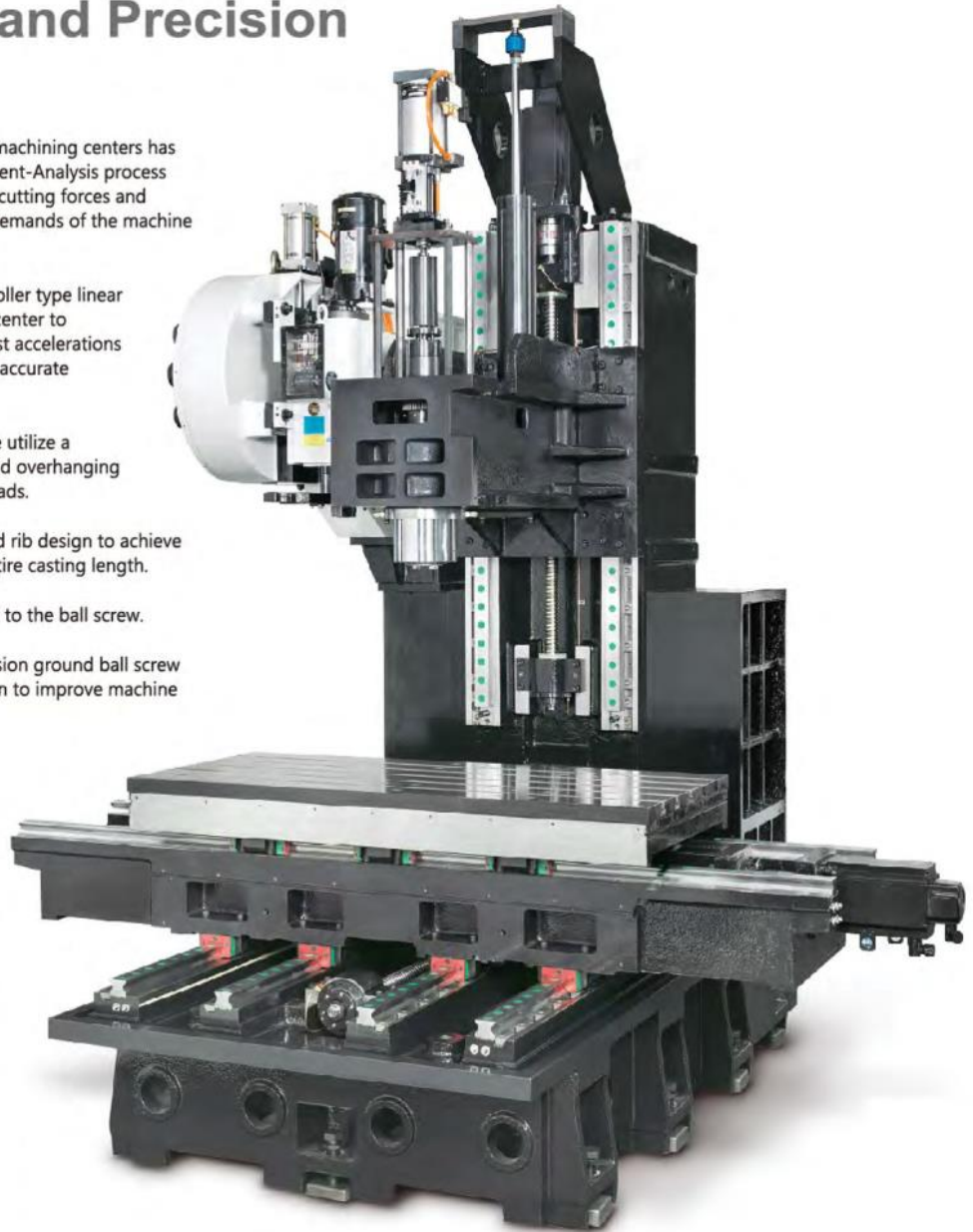
Each T-Slot is ground to a H8 tolerance to provide an accurate datum surface allowing for easy and precise machine setup.

LINEAR WAY

CNC Vertical **Machining Center**

High Speed and Precision

- The casting assembly of the SMV machining centers has been designed using a Finite-Element-Analysis process to ensure the machine will handle cutting forces and weight loads associated with the demands of the machine specifications.
- All axes use an extra wide 45mm roller type linear guideway to allow the machining center to accommodate heavy loads with fast accelerations and low friction while maintaining accurate positioning.
- The machine base and saddle base utilize a wide design to prevent sagging and overhanging concerns with heavy work piece loads.
- The Z axis casting uses a reinforced rib design to achieve structural strength through the entire casting length.
- Each axis motor is directly coupled to the ball screw.
- Each axis will use a grade C3 precision ground ball screw and will use a pre-tensioned design to improve machine performance.



▲ SMV-1270-H3L

LINEAR WAY SERIES



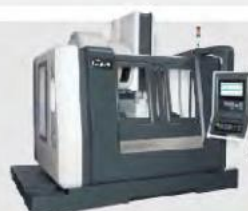
▲ 610-H3L

- Travel : X610 Y400 Z460 mm
- Table : L650 × W400 mm



▲ 710-H3L

- Travel : X710 Y450 Z460 mm
- Table : L760 × W420 (500) mm



▲ 800-H3L

- Travel : X800 Y500 Z500 mm
- Table : L950 × W500 mm



▲ 850-H3L

- Travel : X850 Y600 Z650 mm
- Table : L1000 × W500 mm



▲ 1060-H3L

- Travel : X1000 Y600 Z650 mm
- Table : L1100 × W600 mm



▲ 1270-H3L

- Travel : X1200 Y700 Z700 mm
- Table : L1350 × W700 mm



▲ 1370-H3L

- Travel : X1300 Y700 Z700 mm
- Table : L1450 × W700 mm



▲ 1570-H3L

- Travel : X1500 Y700 Z700 mm
- Table : L1650 × W700 mm



▲ 1670-H3L

- Travel : X1600 Y700 Z700 mm
- Table : L1750 × W700 mm



▲ 1685-H3L

- Travel : X1600 Y850 Z850 mm
- Table : L1600 × W800 mm



▲ 2070-H3L

- Travel : X2000 Y700 Z700 mm
- Table : L2150 × W700 mm

BOX WAY

Heavy Cutting Vertical Machining Center

- The casting assembly of the SMV machining centers has been designed using a Finite-Element-Analysis process to ensure the machine will handle cutting forces and weight loads associated with the demands of the machine specifications.
- All axes use box way design to allow the machining center to accommodate extremely heavy loads with smooth motion while increasing dampening of vibrations and cutting force characteristics.
- The machine base and saddle base utilize a wide design to prevent sagging and overhanging concerns with heavy work piece loads.
- The Z axis casting uses a reinforced rib design to achieve structural strength through the entire casting length.
- Each axis motor is directly coupled to the ball screw.
- Each axis will use a grade C3 precision ground ball screw and will use a pre-tensioned design to improve machine performance.



▲ SMV-2590-3B

BOX WAY SERIES



▲ 650-3B

- Travel : X650 Y500 Z500 mm
- Table : L800 × W470 mm



▲ 1060-3B

- Travel : X1000 Y600 Z650 mm
- Table : L1100 × W500 mm



▲ 1270-3B

- Travel : X1200 Y700 Z650 mm
- Table : L1300 × W700 mm



▲ 1570-3B

- Travel : X1500 Y700 Z650 mm
- Table : L1650 × W700 mm



▲ 1670-3B

- Travel : X1600 Y700 Z650 mm
- Table : L1750 × W700 mm



▲ 1890-3B

- Travel : X1800 Y1000 Z900 mm
- Table : L1950 × W900 mm



▲ 2090-3B

- Travel : X2000 Y1000 Z900 mm
- Table : L2150 × W900 mm



▲ 2290-3B

- Travel : X2200 Y1000 Z900 mm
- Table : L2350 × W1000 mm



▲ 2590-3B

- Travel : X2500 Y1000 Z900 mm
- Table : L2600 × W1000 mm

COMBINATION WAY

Combination Type Vertical Machining Center

- The casting assembly of the SMV machining centers has been designed using a Finite-Element-Analysis process to ensure the machine will handle cutting forces and weight loads associated with the demands of the machine specifications.
- The X and Y axes utilize roller type linear guideways to allow the machining center to accommodate heavy work piece loads with fast accelerations and low friction while maintaining accurate positioning.
- The Z axis uses box way design to allow the machining center to dampen heavier cutting forces.
- The machine base and saddle base utilize a wide design to prevent sagging and overhanging concerns with heavy work piece loads.
- The Z axis casting uses a reinforced rib design to achieve structural strength through the entire casting length.
- Each axis motor is directly coupled to the ball screw.
- Each axis will use a grade C3 precision ground ball screw and will use a pre-tensioned design to improve machine performance.



▲ SMV-2090-2LB

COMBINATION WAY SERIES



▲ 1060-2LB

- Travel : X1000 Y600 Z650 mm
- Table : L1100 × W600 mm



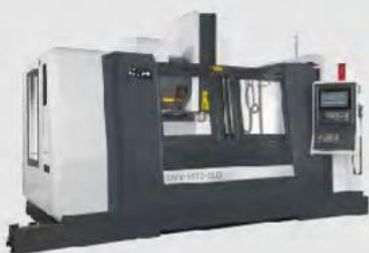
▲ 1270-2LB

- Travel : X1200 Y700 Z650 mm
- Table : L1350 × W700 mm



▲ 1570-2LB

- Travel : X1500 Y700 Z650 mm
- Table : L1650 × W700 mm



▲ 1670-2LB

- Travel : X1600 Y700 Z650 mm
- Table : L1750 × W700 mm



▲ 1890-2LB

- Travel : X1800 Y900 Z900 mm
- Table : L1950 × W900 mm



▲ 2070-2LB

- Travel : X2000 Y700 Z700 mm
- Table : L2150 × W700 mm



▲ 2090-2LB

- Travel : X2000 Y1000 Z1000 mm
- Table : L2150 × W1000 mm



▲ 2290-2LB

- Travel : X2200 Y1000 Z1000 mm
- Table : L2350 × W1000 mm



▲ 2590-2LB

- Travel : X2500 Y1000 Z1000 mm
- Table : L2600 × W1000 mm

► Optional Equipment



RENISHAW (OMP 40/60)



BLUM (TC 50)



HEIDENHAIN (TS 640)



RENISHAW (TS27R)



BLUM (Z3D)



HEIDENHAIN (TT 160)



RENISHAW (NC-4)



BLUM (NT)



CTS-Coolant Through Spindle



20/40/60/70 BAR



Spindle Oil Cooler



Oil Skimmer

■ Work Piece Measuring System	■ Tool Measuring System	■ CTS-Coolant Through Spindle
RENISHAW (OMP 40/60)	RENISHAW (TS27R)	20 BAR
BLUM (TC 50)	BLUM (Z3D)	50 BAR
HEIDENHAIN (TS 640)	HEIDENHAIN (TT 160)	60 BAR
	RENISHAW (NC-4)	70 BAR
	BLUM (NT)	120 BAR



Transformer



HEIDENHAIN Linear Scale



HEIDENHAIN Rotary Encoder



Gear Box



4th Axis Rotary Table



4/5th Axis Rotary Table



Chain Type Chip Conveyor



Screw Type Chip Auger

All Of Matching Checklist

HEIDENHAIN Linear Scale	4/5th Axis Rotary Table	Screw Type Chip Auger
Built-in Coolant Nozzles	HEIDENHAIN Rotary Encoder	
Oil Skimmer	Gear Box	
Spindle Oil Cooler	Transformer	
4th Axis Rotary Table	Chain Type Chip Conveyor	