

**SAM 022307****HUAWIN Tipo PG250**

<b>Gruppo</b>	Rettificatrice per ingranaggi CNC
<b>Produttori</b>	HUAWIN
<b>Tipo</b>	PG250
<b>Controller</b>	HUAWIN (FANUC / SIEMENS optional)
<b>Video youtube</b>	<a href="https://www.youtube.com/watch?v=OQLnVmHb1wc&amp;t=6s">https://www.youtube.com/watch?v=OQLnVmHb1wc&amp;t=6s</a>



Diametro min. di rettificazione	20 mm
Diametro massimo di rettificazione	250 mm
Diametro min. di testa	20
Numero min. di denti	1
Numero massimo di denti	999
Passo mass. dei denti (modul)	6
Passo min. dei denti (modul)	1
Corse:	
Asse X	170 mm
Asse Y	60 mm
Asse Z	450 mm
Asse C	360°
Asse A	+/-45°
Giri massimo	10000 t/min
Potenza motore della mola	17 kW
Potenza installata totale	<20 kVA
Collegamento 50 Hz 3x	400 Volt
Peso della macchina circa	8000 kg
Dimensioni macchina:	
Lunghezza	2600 mm
Larghezza	2370 mm
Altezza	2155 mm

[www.mullermachines.ch](http://www.mullermachines.ch)
**Workpiece**

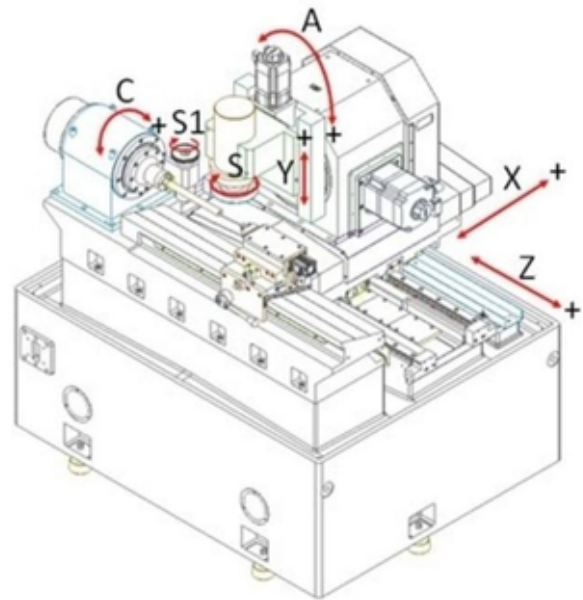

- Precision profile using rotary dresser.
- Highly rigid box-type bed.
- Equipped with HMI for increasing operational efficiently.
- Linear motor X & Z-axis with zero backlash.
- DD motor of C-axis with zero backlash.


**Specification**

Workpiece	Spec	
	PG250	PG400
Min. Gear major diameter	Φ20 mm	Φ30 mm
Max. Gear outer diameter	Φ250 mm	Φ400 mm
Max.Module	6	10
Min.Module	0.5	
Number of teeth	1-999	
<b>Stroke</b>		
X-axis travel	170 mm	250 mm
Y-axis travel	60 mm	100 mm
Z-axis travel	450 mm	800 mm
C-axis	±360°	
A-axis	±45°	
C-axis(DD motor)	500 N.m	1300 N.m
Center distance	80/1000 mm	
Spindle power	17 kW	
Diameter of Spindle	170G	170G 220G
Outer diameter of grinding wheel	Φ50-Φ220	Φ50-Φ220 Φ210-Φ350
Max. speed of spindle	10000 rpm	10000rpm 4000rpm
Rotary dresser	Φ135 x 16W x R 0.3	
Air pressure source rated flow	30 L/min	
Air Pressure	0.5 Mpa	
Power capacity	< 20 KVA	
Machine dimension (L*W*H)	2600*2370*2155(mm)	
Machine weight	8000 kg	

**Specification**

Workpiece	Spec	
	PG250	PG400
Min. Gear major diameter	Φ20 mm	Φ30 mm
Max. Gear outer diameter	Φ250 mm	Φ400 mm
Max.Module	6	10
Min.Module	0.5	
Number of teeth	1-999	
<b>Stroke</b>		
X-axis travel	170 mm	250 mm
Y-axis travel	60 mm	100 mm
Z-axis travel	450 mm	800 mm
C-axis	±360°	
A-axis	±45°	
C-axis(DD motor)	500 N.m	1300 N.m
Center distance	80/1000 mm	
Spindle power	17 kW	
Diameter of Spindle	170G	170G 220G
Outer diameter of grinding wheel	Φ50-Φ220	Φ50-Φ220 Φ210-Φ350
Max. speed of spindle	10000 rpm	10000rpm 4000rpm
Rotary dresser	Φ135 x 16W x R 0.3	
Air pressure source rated flow	30 L/min	
Air Pressure	0.5 Mpa	
Power capacity	< 20 KVA	
Machine dimension (L*W*H)	2600*2370*2155(mm)	
Machine weight	8000 kg	



[www.mullermachines.ch](http://www.mullermachines.ch)

