

SAM 022307**HUAWIN Type PG250**

Group	CNC Gear grinding machine
Manufacturer	HUAWIN
Type	PG250
Controller CNC	HUAWIN (FANUC / SIEMENS optional)
Youtube video	https://www.youtube.com/watch?v=OQLnVmHb1wc&t=6s



Min. grinding diameter	20 mm
Max. grinding diameter	250 mm
Min. root diameter	20
Min. diametrical pitch	1
Max. diametrical pitch	999
Max. circular pitch (modul)	6
Min. circular pitch (modul)	1
Travels:	
X axis	170 mm
Y axis	60 mm
Z axis	450 mm
C axis	360 °
A axis	+/-45 °
max. speed	10000 t/min
Grinding spindle motor	17 kW
Total power required	<20 kVA
Voltage 50 Hz 3x	400 Volt
Machine's weight about	8000 kg
Overall dimensions machine:	
Length	2600 mm
Width	2370 mm
Height	2155 mm

www.mullermachines.ch
Workpiece

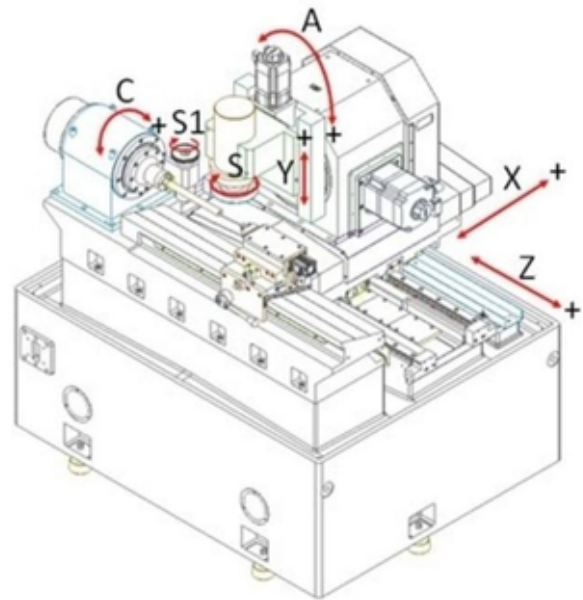

- Precision profile using rotary dresser.
- Highly rigid box-type bed.
- Equipped with HMI for increasing operational efficiently.
- Linear motor X & Z-axis with zero backlash.
- DD motor of C-axis with zero backlash.


Specification

Workpiece	Spec	
	PG250	PG400
Min. Gear major diameter	Φ20 mm	Φ30 mm
Max. Gear outer diameter	Φ250 mm	Φ400 mm
Max.Module	6	10
Min.Module	0.5	
Number of teeth	1-999	
Stroke		
X-axis travel	170 mm	250 mm
Y-axis travel	60 mm	100 mm
Z-axis travel	450 mm	800 mm
C-axis	±360°	
A-axis	±45°	
C-axis(DD motor)	500 N.m	1300 N.m
Center distance	80/1000 mm	
Spindle power	17 kW	
Diameter of Spindle	170G	170G 220G
Outer diameter of grinding wheel	Φ50-Φ220	Φ50-Φ220 Φ210-Φ350
Max. speed of spindle	10000 rpm	10000rpm 4000rpm
Rotary dresser	Φ135 x 16W x R 0.3	
Air pressure source rated flow	30 L/min	
Air Pressure	0.5 Mpa	
Power capacity	< 20 KVA	
Machine dimension (L*W*H)	2600*2370*2155(mm)	
Machine weight	8000 kg	

Specification

Workpiece	Spec	
	PG250	PG400
Min. Gear major diameter	Φ20 mm	Φ30 mm
Max. Gear outer diameter	Φ250 mm	Φ400 mm
Max.Module	6	10
Min.Module	0.5	
Number of teeth	1-999	
Stroke		
X-axis travel	170 mm	250 mm
Y-axis travel	60 mm	100 mm
Z-axis travel	450 mm	800 mm
C-axis	±360°	
A-axis	±45°	
C-axis(DD motor)	500 N.m	1300 N.m
Center distance	80/1000 mm	
Spindle power	17 kW	
Diameter of Spindle	170G	170G 220G
Outer diameter of grinding wheel	Φ50-Φ220	Φ50-Φ220 Φ210-Φ350
Max. speed of spindle	10000 rpm	10000rpm 4000rpm
Rotary dresser	Φ135 x 16W x R 0.3	
Air pressure source rated flow	30 L/min	
Air Pressure	0.5 Mpa	
Power capacity	< 20 KVA	
Machine dimension (L*W*H)	2600*2370*2155(mm)	
Machine weight	8000 kg	



www.mullermachines.ch

